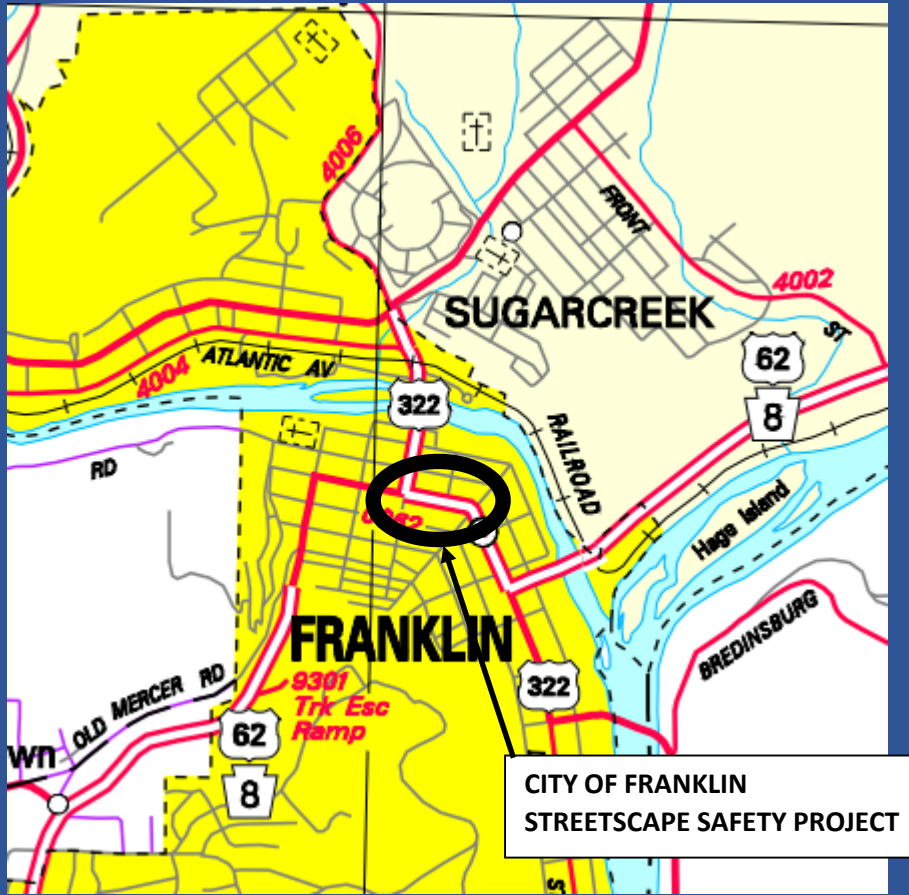


CITY OF FRANKLIN STREETSCAPE SAFETY PROJECT



DAWOOD ENGINEERING -
DECEMBER 2020

LOCATION MAP



PROJECT LOCATION

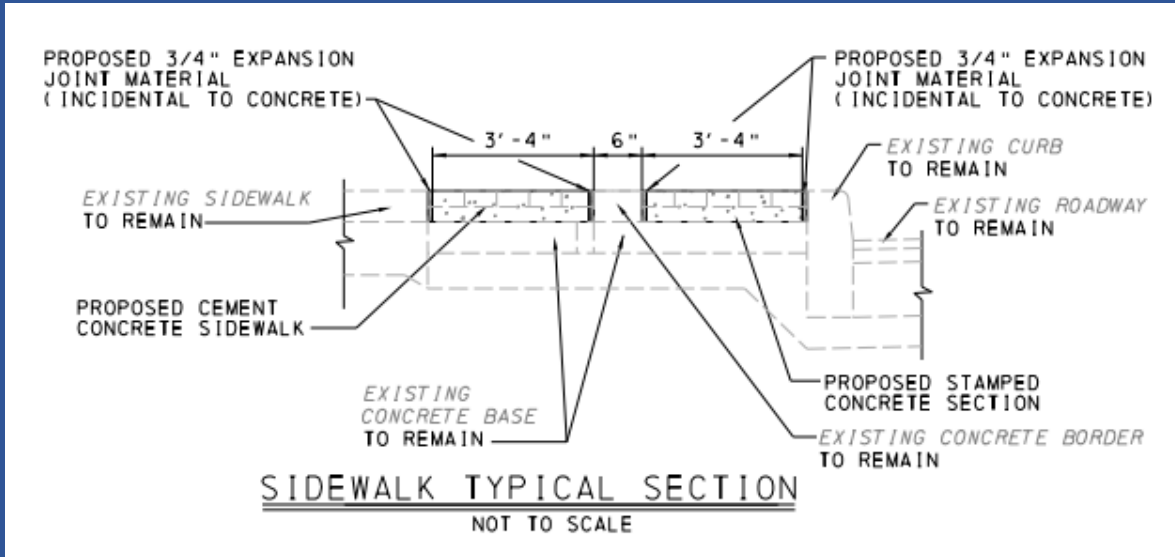
CITY OF FRANKLIN, VENANGO COUNTY

LIBERTY ST.- FROM 13TH ST. INTERSECTION TO 12TH ST. INTERSECTION

TYPICAL OVERHEAD PLAN VIEW

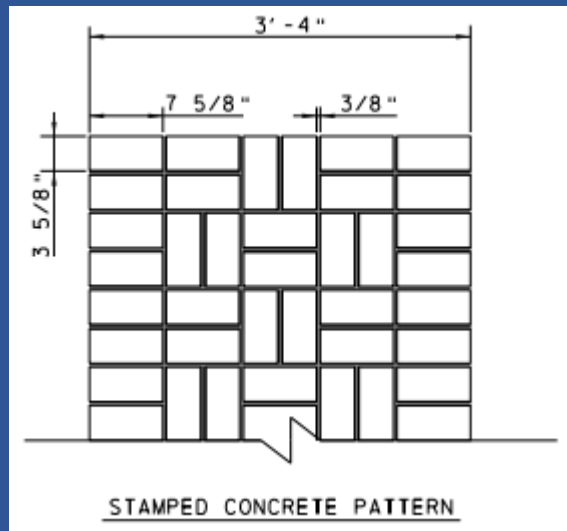


PROJECT DESCRIPTION



PROJECT DESCRIPTION

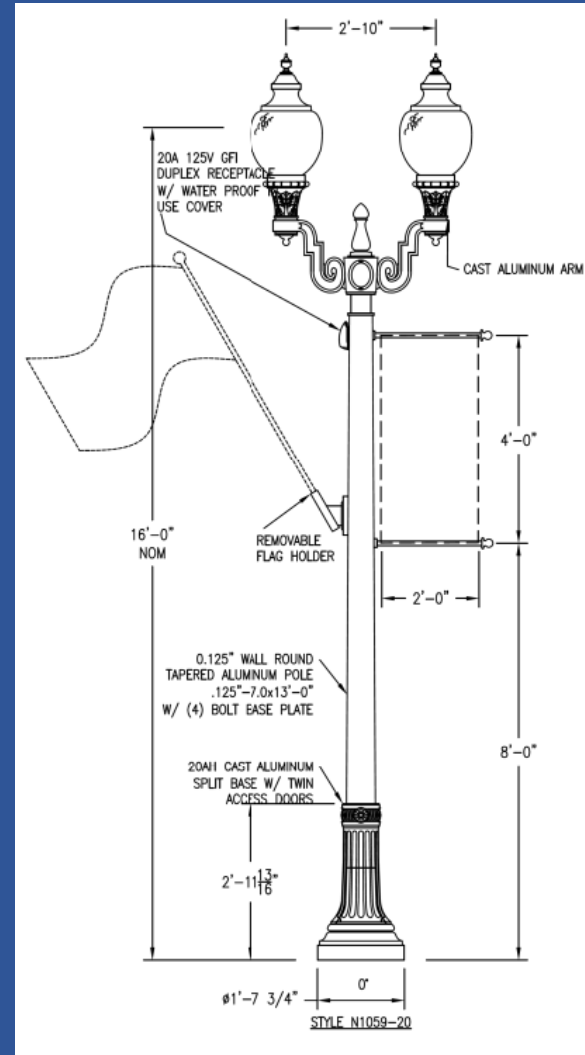
- UPDATE SIDEWALK, REMOVE BRICKS AND REPLACE WITH STAMPED CONCRETE BRICK PATTERN.
- REPAIR DAMAGED SIDEWALK CONCRETE AND CURB
- UPDATE STREET LIGHTING, INSTALL NEW LIGHT POLES AND LUMINAIRES
- INSTALL ADA CURB RAMPS



LIGHTING DETAILS



EXISTING LIGHT POLE



PROPOSED LIGHT POLE

KEY PROJECT DATES

| | |
|---------------------|-------------|
| LET DATE: | APRIL 2021 |
| BEGIN CONSTRUCTION: | SUMMER 2021 |
| PROJECT COMPLETION: | FALL 2021 |



CONTACTS

IF YOU HAVE ANY QUESTIONS OR FEEDBACK ABOUT THE PROJECT CONTACT:

LYNDSIE DEVITO

PENNDOT PROJECT MANAGER

814-678-7174

ldevito@pa.gov

JILL HARRY

PENNDOT MEDIA CONTACT

814-678-5035

jharry@pa.gov

BRANDON PETERSON

DAWOOD ENGINEERING

717-439-2450

Brandon.Peterson@dawood.net

THE ONLINE COMMENT FORM CAN BE

COMPLETED AT:

www.Penndot.gov/District1