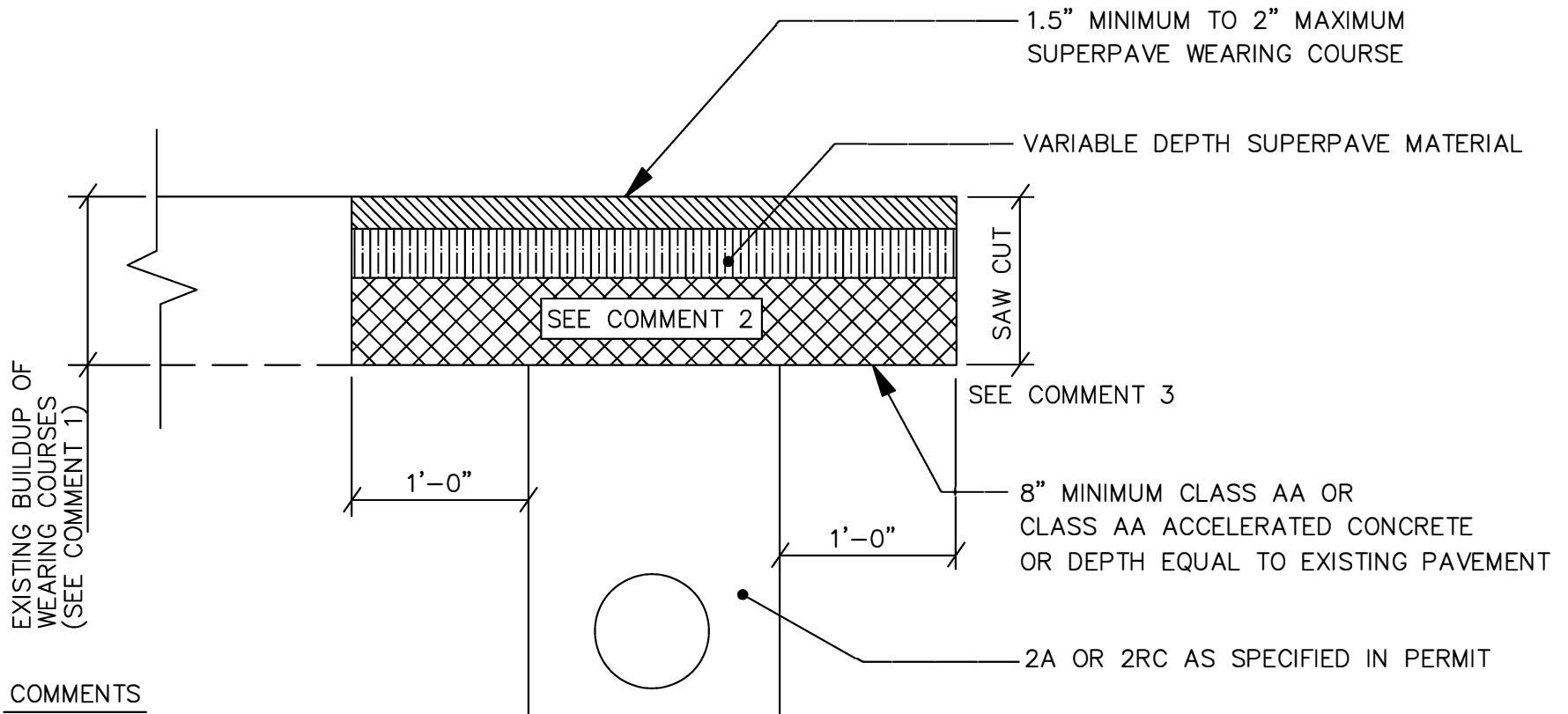


RIGID PAVEMENT RESTORATION

(ASPHALT OVERLAY OR PLAIN CEMENT BASE COURSE)

NOT TO SCALE

FIGURE C8-3



COMMENTS

1. SURFACE OF REPLACEMENT CONCRETE TO BE AT SAME ELEVATION AS EXISTING SLAB.
2. FOR LIMITS OF CONCRETE REPLACEMENTS, SEE DEPT. REG. 459.8(i)(4)
3. CUT BACK IS NOT REQUIRED BEYOND A TRANSVERSE OR LONGITUDINAL JOINT OR CURB.