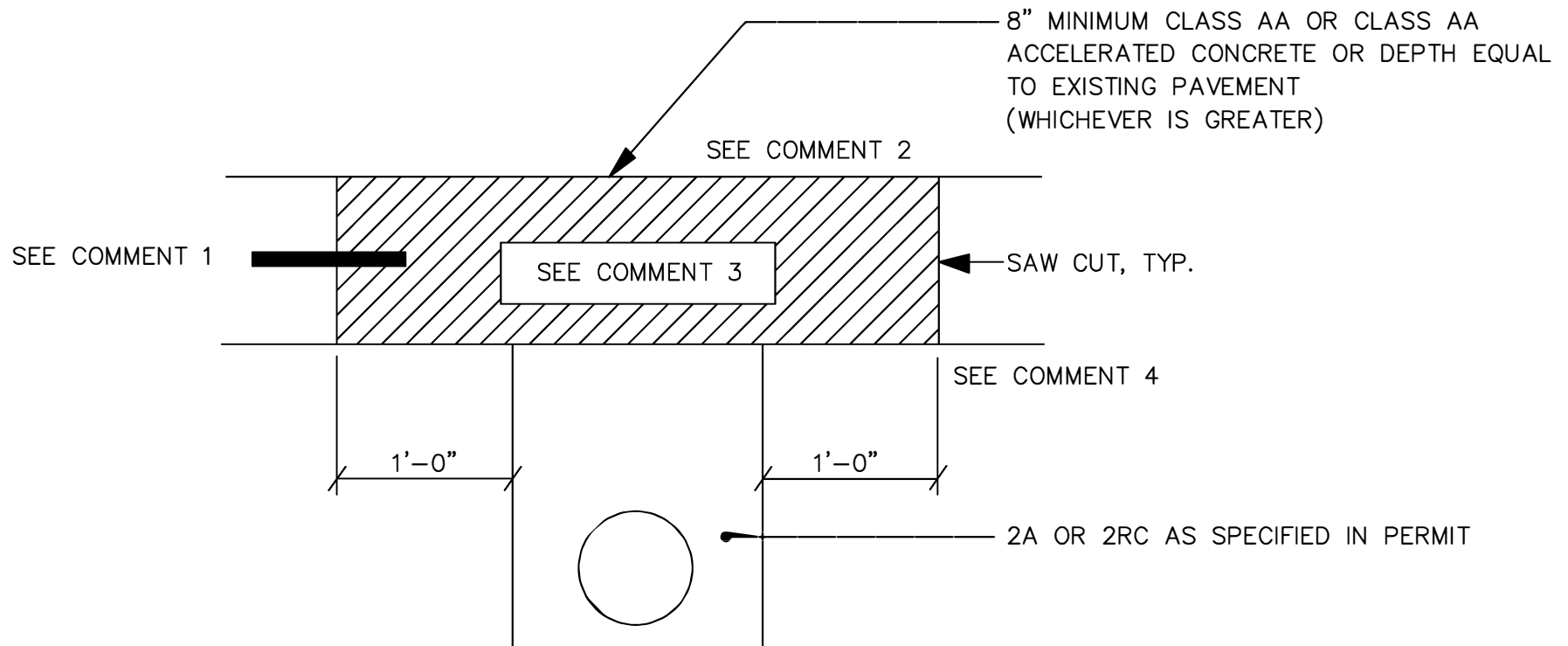


RIGID PAVEMENT RESTORATION

FIGURE C8-2

NOT TO SCALE



COMMENTS

1. AS PER PUB. 72M, RC-26M, PLACE TIE BARS/BOLTS AND LOAD TRANSFER DEVICES FOR ALL CONCRETE PAVEMENT PATCHES. ADDIONTALLY, FOR REINFORCED CONCRETE PAVEMENT, PLACE REINFORCING STEEL.
2. SURFACE TEXTURE AS PER PUB 408, SECT. 501.3(k)
3. FOR LIMITS OF CONCRETE REPLACEMENTS, SEE DEPT. REG. 459.8(i)(4)
4. CUT BACK IS NOT REQUIRED BEYOND A TRANSVERSE OR LONGITUDINAL JOINT OR CURB.

11/2021